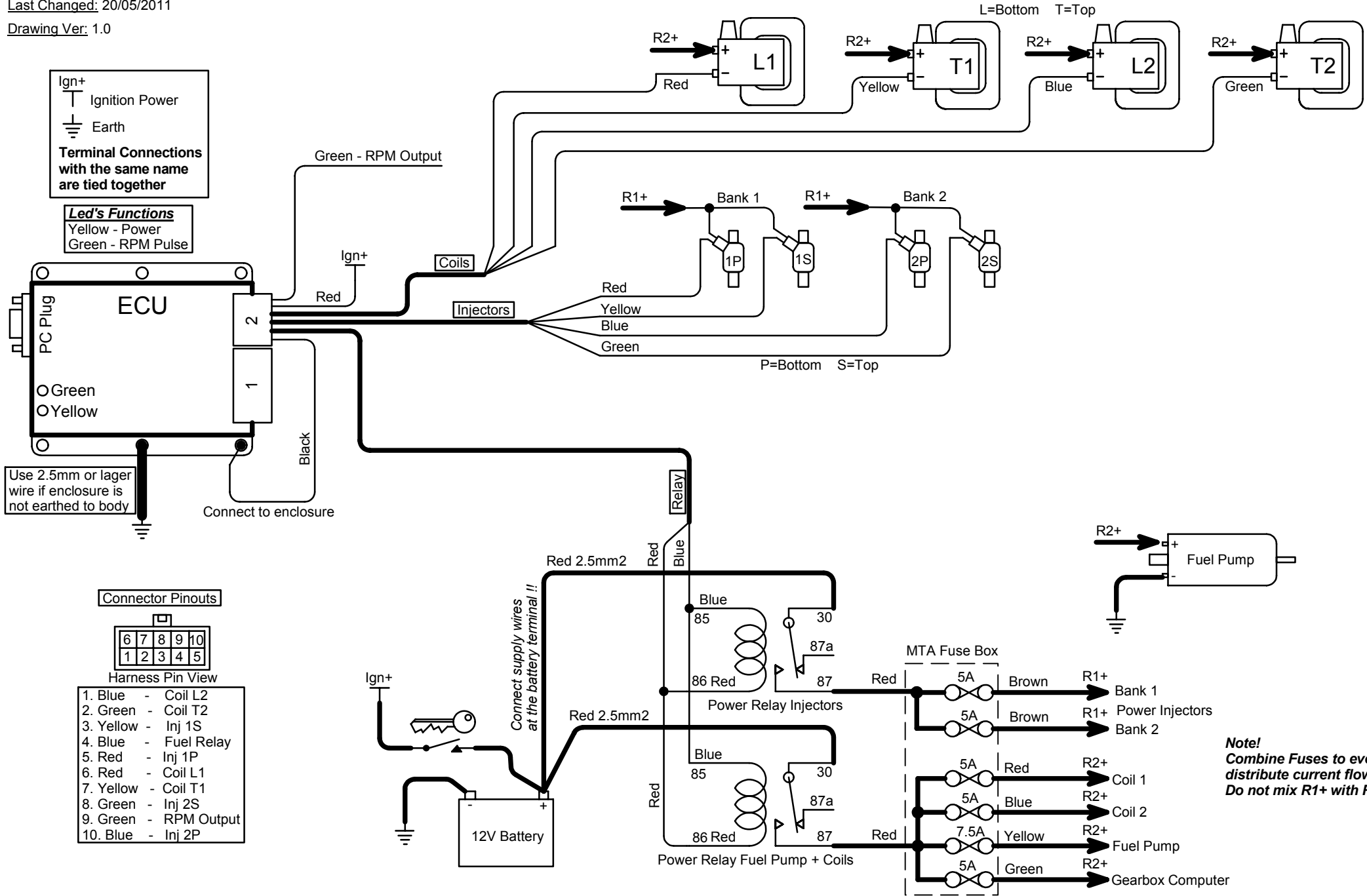


E26 Rotary 4Coil 4Inj

Last Changed: 20/05/2011

Drawing Ver: 1.0



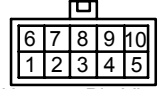
Ign+
 T Ignition Power
 Earth

Terminal Connections with the same name are tied together

LED's Functions
 Yellow - Power
 Green - RPM Pulse

Use 2.5mm or larger wire if enclosure is not earthed to body

Connector Pinouts



Harness Pin View

- 1. Blue - Coil L2
- 2. Green - Coil T2
- 3. Yellow - Inj 1S
- 4. Blue - Fuel Relay
- 5. Red - Inj 1P
- 6. Red - Coil L1
- 7. Yellow - Coil T1
- 8. Green - Inj 2S
- 9. Green - RPM Output
- 10. Blue - Inj 2P

Note!
 Combine Fuses to evenly distribute current flow.
 Do not mix R1+ with R2+